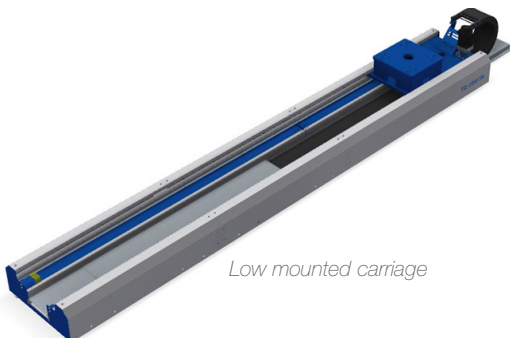
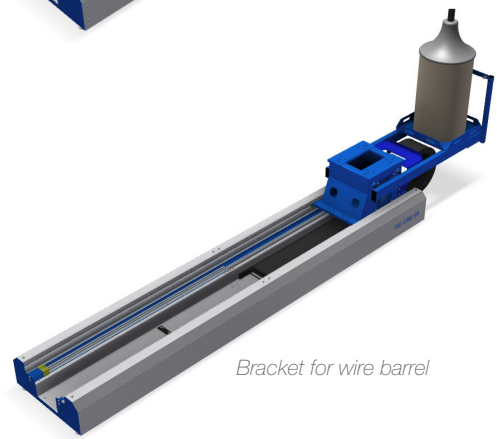
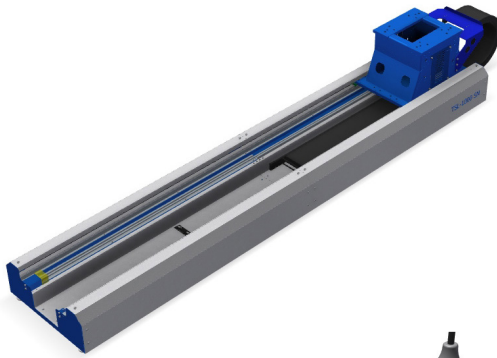


TSL-1000SD

Floor mounted track



This is a servo powered floor mounted track with one or two robot carriages. It can be used to transport a robot from one station to another, or to increase the robot's working range. The TSL track is prepared for zeroing function.

Since the track is built in two- or four meter modules, it is easy to extend to a suitable length.

Standard lengths up to 24m, possible with longer tracks on request.

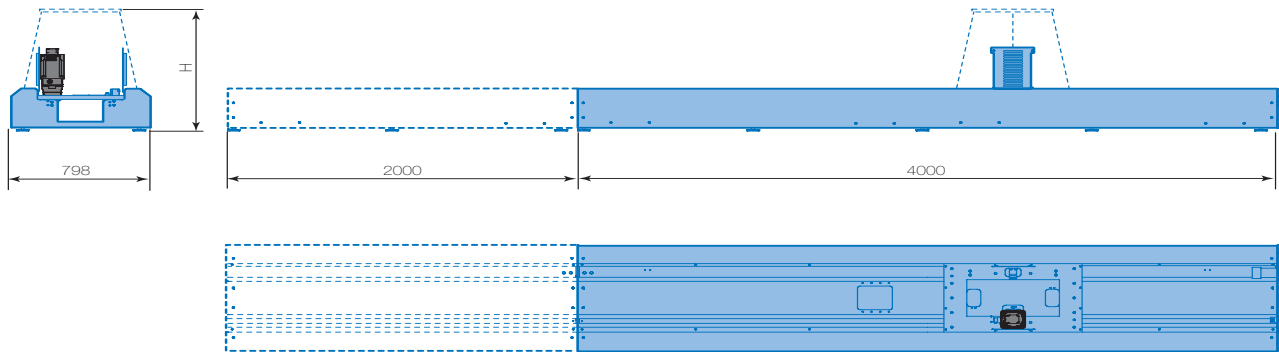
Key benefits

- Outstanding speed
- Quiet operation
- For high payload robots

Options

- Automatic lubrication (rack and guide blocks)
- Additional carriage
- Brackets for wire barrel

TSL-1000SD



All dimensions are for reference only.

Request detailed drawings for design/engineering requirements!

Technical data		TSL-1000SD
Maximum payload		1000 kg
Maximum speed		1.8 m/s
ED		50%
Acceleration velocity		3.0 m/s ²
Travel 500 mm		0.83 sec
Travel 1000 mm		1.16 sec
Repetitive position accuracy		±0.05 mm
Height (H) including robot stand		467*, 687, 887, 1087, 1287, 1487 mm
Standard length (L)		2, 3, 4 up to 24m (in 2m/steps)
Travel length (stroke)		L-850 mm (L-1065mm)*
For robots	DX200	MA1440, MA2010, MH12, MH24, MH50II, MH50-20II, MH50-35II, MS80W, MPL80II
	YRC1000	AR1440, AR2010, GP25-12, GP25, GP50, GP20L, GP35L, GP88, GP110, PL80

*) Low carriage

YASKAWA



YASKAWA Nordic AB
PO Box 504
SE-385 25 Torsås, SWEDEN

Phone +46 480 41 78 00
info.se@yaskawa.eu.com
www.yaskawa.eu.com